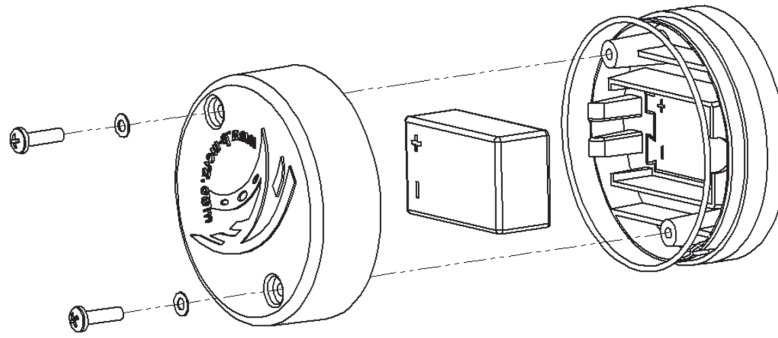


BEAMERZ™ OPERATING INSTRUCTIONS

Beamerz™ uses standard 9V batteries. Alkaline or Lithium batteries are acceptable and should provide up to forty hours of operation.

To install or replace batteries, remove Beamerz™ cap with a Phillips screwdriver. Place 9 volt battery in base of Beamerz™ as indicated. Use only the screws, washers and o-ring provided with Beamerz™. Replacement screws, washers and o-rings are available at www.beamerz.net. Swipe magnetic fob on keychain against top of cap to



turn Beamerz™ on and off. Beamerz™ will automatically turn off after 90 minutes of operation. Each time Beamerz™ is turned off and back on, the flash pattern will change between 'Circular', 'Zig-Zag',

'Figure -8' and 'Star'.

Clean Beamerz™ with a clean, damp cloth. Do NOT point high pressure spray directly at Beamerz™. If moisture should enter Beamerz™, remove cap, wipe away moisture and allow to dry before replacing.

BEAMERZ™ LLC LIMITED WARRANTY

BEAMERZ™ LLC warrants all Beamerz manufactured products that it determines to be defective in materials and/or workmanship, under normal use, for a period of 90 days, unless otherwise stated.

During the warranty period, at its sole option, Beamerz™ will use reasonable efforts to repair or replace any defective product; provided, however, that the customer has complied with the Product Return Policy. Any repair or replacement, at Beamerz™' option, shall be the customer's sole and exclusive remedy. Beamerz™ is not responsible for damage caused by improper installation, improper use, neglect or abuse and is limited under warranty to repairing or replacing the item only. Beamerz™ is not liable for equipment on which this product is installed.

PRODUCT RETURN POLICY

Before returning any product customer believes is defective, customer must provide to Beamerz™ details of the warranty claim situation and the product serial number printed on the circuit board and obtain from Beamerz™ LLC a Warranty/Return Authorization Number (W&R Number). Customer must then return the defective product to Beamerz™, shipping costs prepaid.

Any Claim for shortage or shipping damage must be accompanied by the Store Receipt or Packing Slip and submitted within 15 days of receipt or invoice date, whichever is later. Damages in shipment are the responsibility of the carrier and customer must make claim directly with the carrier.

WARRANTY DISCLAIMER

BEAMERZ™ SHALL HAVE NO LIABILITY FOR, AND EXPRESSLY DISCLAIMS ANY WARRANTY, REPRESENTATION OR AFFIRMATION OF FACT, EXPRESS OR IMPLIED, OTHER THAN AS SET FORTH IN THIS LIMITED WARRANTY STATEMENT, INCLUDING, WITHOUT LIMITATION (1) ANY IMPLIED WARRANTIES OF MERCHANTABILITY AND FITNESS FOR A PARTICULAR PURPOSE; (2) ANY WARRANTY OR AFFIRMATION OF FACT RELATED TO USE, MISUSE, SELECTION, RECOMMENDATION, OR APPLICATION OF PRODUCT; AND (3) ANY WARRANTY OR AFFIRMATION OF FACT THAT THE BEAMERZ™ LITERATURE OR WEBSITE ACCURATELY ILLUSTRATE AND DESCRIBE PRODUCT.

LIMITATION OF LIABILITY

ANY LIABILITY FOR CONSEQUENTIAL, INCIDENTAL, SPECIAL, EXEMPLARY OR PUNITIVE DAMAGES IS EXPRESSLY DISCLAIMED. BEAMERZ™ LIABILITY IN ALL EVENTS SHALL NOT EXCEED THE PURCHASE PRICE PAID FOR THE PRODUCT. BEAMERZ™ REPAIR, REPLACEMENT, OR PAYMENT OF SUCH AMOUNT SHALL BE THE FINAL AND EXCLUSIVE REMEDY AND SHALL NOT BE CONSTRUED OR ALLEGED BY CUSTOMER TO HAVE FAILED OF ITS ESSENTIAL PURPOSE. ALL LIABILITY OF THE COMPANY SHALL CEASE WITH THE EXPIRATION OF THE 90 DAY WARRANTY PERIOD.

BEAMERZ™ LLC
5821 S. 76 E. Ave.
Tulsa, Oklahoma
74145 USA

fax: 918.628.5484

e-mail beamerz@coxmail.net

www.beamerz.net

STATE AND CITY LAWS VARY! CHECK THE LAWS IN YOUR AREA PRIOR TO STREET USE.

BEAMERZ™ INSTALLATION INSTRUCTIONS

WARNING: Beamerz™ are designed for use on wheels only! Do not use as a warning or safety device.

BEAMERZ™ are attached by means of a high strength adhesive on the surface of foam rings. The foam rings allow attachment to curved and irregular surfaces. An extra set of rings is included to allow attachment to wheels with surface irregularities.

Apply BEAMERZ™ when temperature is between 50°F and 90°F.

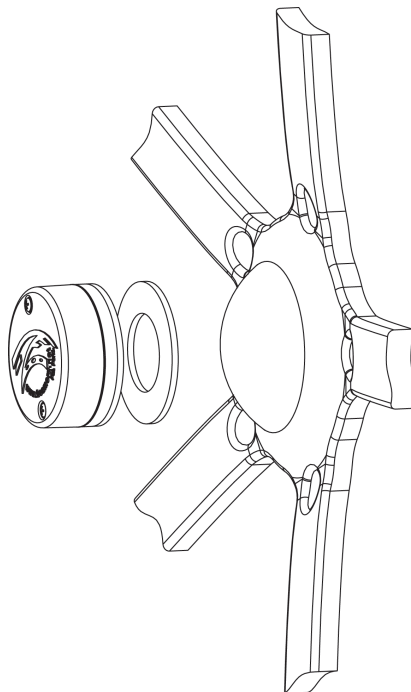
Attaching BEAMERZ™ to painted surfaces is not recommended. Adhesive may mar or damage paint.

1. Clean and dry wheels. Remove wax or polish.
2. Wipe wheel center with isopropyl alcohol pads provided in BEAMERZ™ package.

3. Locate center point of wheel. BEAMERZ™ must be attached to the center of the wheel. If necessary and before removing adhesive backing, outline BEAMERZ™ with a pencil to check for center point. If wheel has removable center cap, it should be secured with a removable adhesive before attaching BEAMERZ™. (Clear silicone RTV adhesive is recommended.)
4. Once wheel center is located, make sure foam conforms to all irregular contours of wheel surfaces. If not, use an additional foam ring (**See Additional Foam Ring Instruction below.**)
5. Peel off adhesive backing. Align BEAMERZ™ with wheel center before allowing contact with wheel surface. When BEAMERZ™ is aligned on center point, press BEAMERZ™ against wheel. Hold BEAMERZ™ against wheel for 30 seconds.
6. Allow adhesive to cure for 1 hour before driving.

ADDITIONAL FOAM RING INSTRUCTIONS

1. Wheels with irregular, convex or concave surfaces may require the use of an additional foam ring.
2. BEFORE removing adhesive backing, place BEAMERZ™ on wheel center and gently press, checking to see that at least 1/8" of the entire radius of the adhesive ring makes contact with the wheel. If not, an additional foam ring should be used.
3. Remove the adhesive backing from the additional foam ring and from the BEAMERZ™ unit. Press together and



hold for 30 seconds. Repeat on all four BEAMERZ™ units.

4. Follow the BEAMERZ™ Installation Instructions for attachment to wheels.

BEAMERZ™ adhesive is **permanent!** To remove Beamerz™, carefully separate housing from foam ring. Peel off remaining foam ring and clean surface with glass cleaner or isopropyl alcohol. Foam rings will be destroyed in removal. New rings may be purchased from www.beamerz.net.